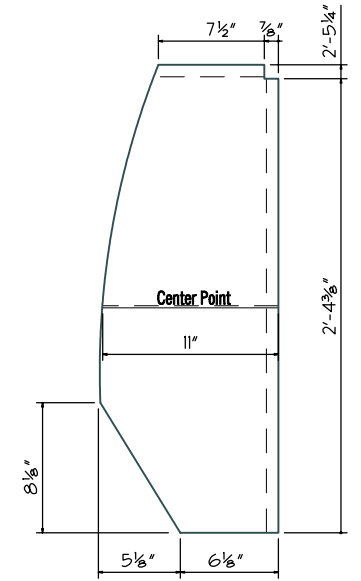
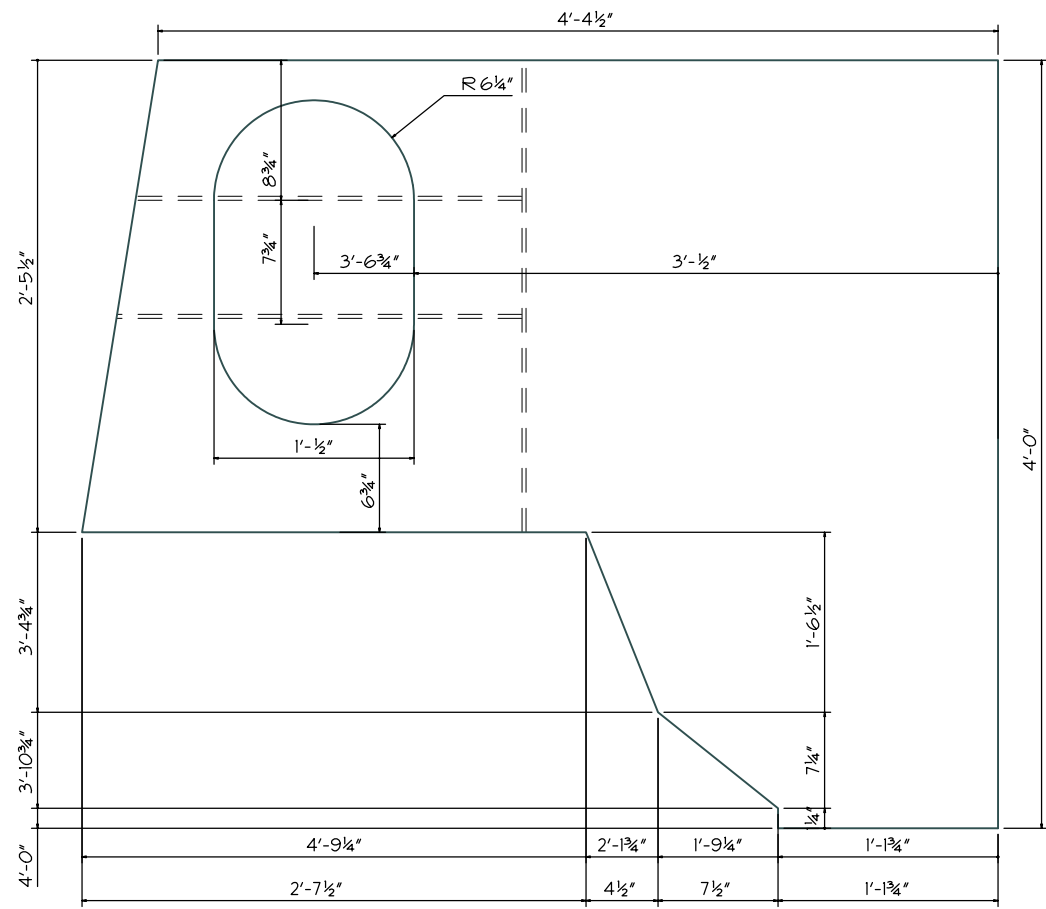


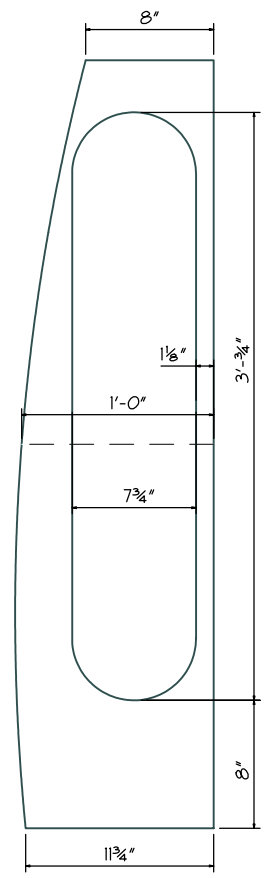
Top of Closet
1/4" thick



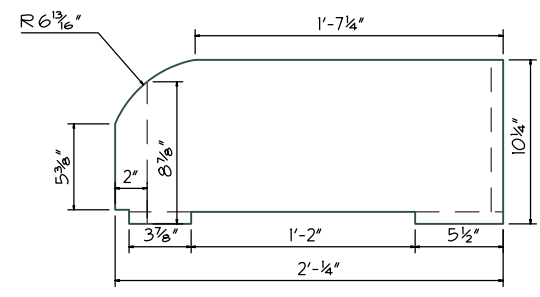
Back of Closet
1/4" thick



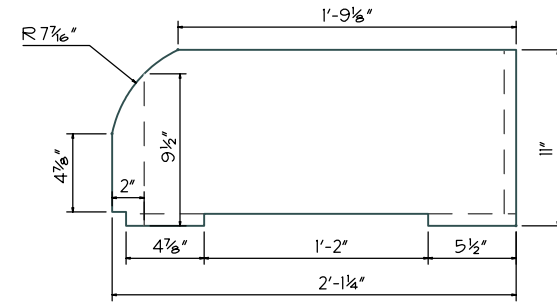
Side Of Closet/Rear Cabinet
1/4" thick



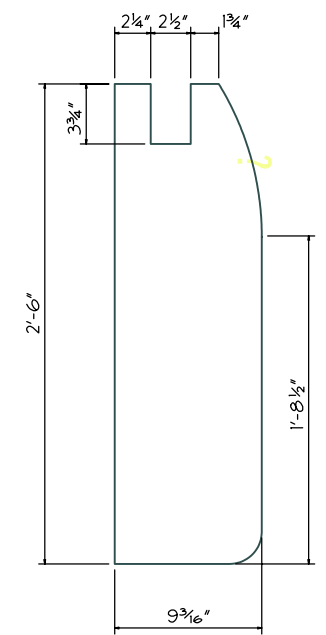
Front of Closet
1/4" thick



Top Shelf
1/4" thick



Middle Shelf
1/4" thick



Rear Panel of Closet Cabinet
1/8" thick

NOTE:

The drawings in this set represent my best attempt to recreate the interior of my '85 Kombi. I measured my existing cabinets as closely as I felt was warranted. These drawings may be printed out and used to create cabinets of your own, please double check these measurements against the installation location to insure a proper fit. If you attempt to disseminate this information please maintain the format as presented.

Rear Cabinet/Closet

E-Z Camper Interior

DRAWN BY: KEVIN GUARNOTTA
PROJ#: 1905 VW Kombi w/EZ-Camper Interior
SHEET #

REV: 1.0